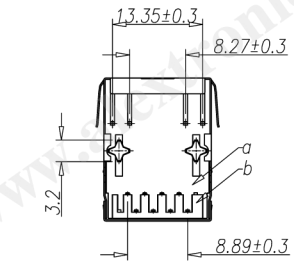
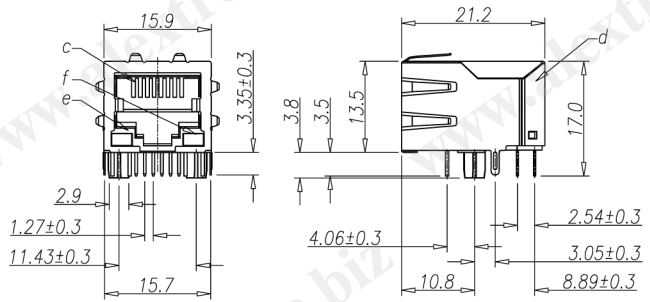


CATEGORY	DESCRIPTION	P/N #
CONNECTOR	Modular Jack, 8P8C, R/A, With LED & Shielding	MJ881R-112X0-002T

REV.	ECN NO	DESCRIPTION	REVISED	DATE
R01		New Release	Luguan	2009.06.11



PART NO.:
MJ881R-112X0-002T

表示此產品帶濾波器

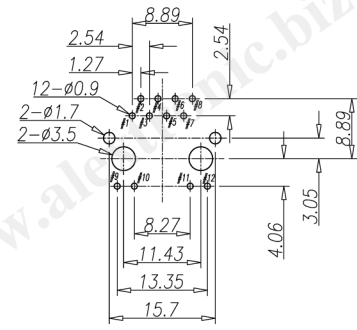
Material & Plating

X	Terminal Plating
3	Au 3u" Plating
6	Au 6u" Plating
7	Au 15u" Plating
8	Au 30u" Plating

SPECIFICATIONS:

1. RJ Electrical Characteristics

- 1-1: Voltage: 150V AC RMS
- 1-2: Current Rating: 1.5A
- 1-3: Contact Resistance: 30mΩ MAX.
- 1-4: Insulation Resistance: 500MΩ MIN.
- 1-5: Dielectric Withstang Voltage :1000V AC
- 1-6: Operating Temperature: -40~C~80~C
- 1-7: Durability: 500 Mating Cycles MIN.



Recommend PCB Layout

(Jack Top View)

Tolerance: ±0.05mm

Recommend PCB Thickness: 1.6mm

f	LED 02	1		Yellow	
e	LED 01	1		Green	
d	Shielding	1	Brass T=0.20mm	Ni Plating	
c	RJ Insert	1	T: Brass T=0.3mm, Plating: See Table 1 H: PBT UL94V-0, Color: Black		
b	Cover	1	PA46 UL94V-0	Black	
a	Housing	1	PA46 UL94V-0	Black	
NO.	PART NAME	Q'TY	MATERIAL	PLATING & COLOR	Remark

Product Drawing
ALEXTRONIC

UNLESS OTHERWISE SPECIFIED TOLERANCES	SCALE: 1/1	UNIT: mm	DWG. NO:	
	SIZE: A3	PAGE: 1 OF 1		REV: R01
DECIMALS: X :±0.5 X.X :±0.3 X.XX :±0.2	ANGLES: X :±2° X.X :±1°	APPROVED BY	CHECKED BY	PREPARED BY
		WYX	Pengjie	Luguan
CUSTOMER COPY				